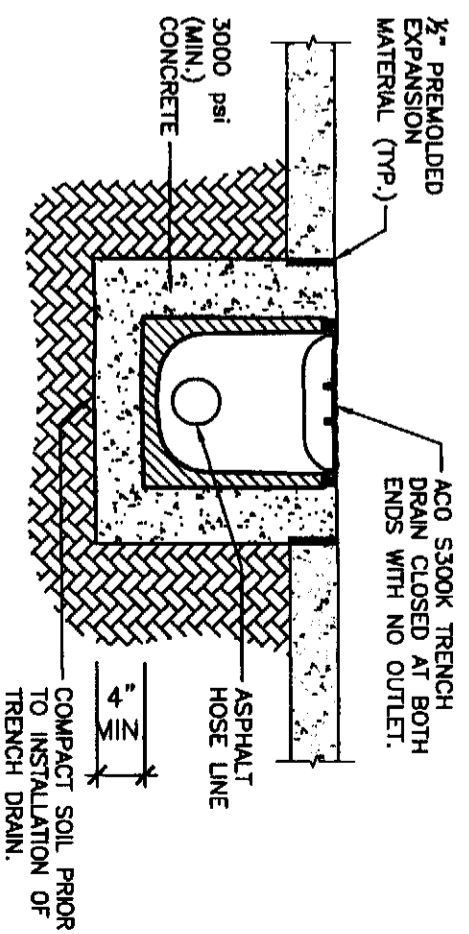
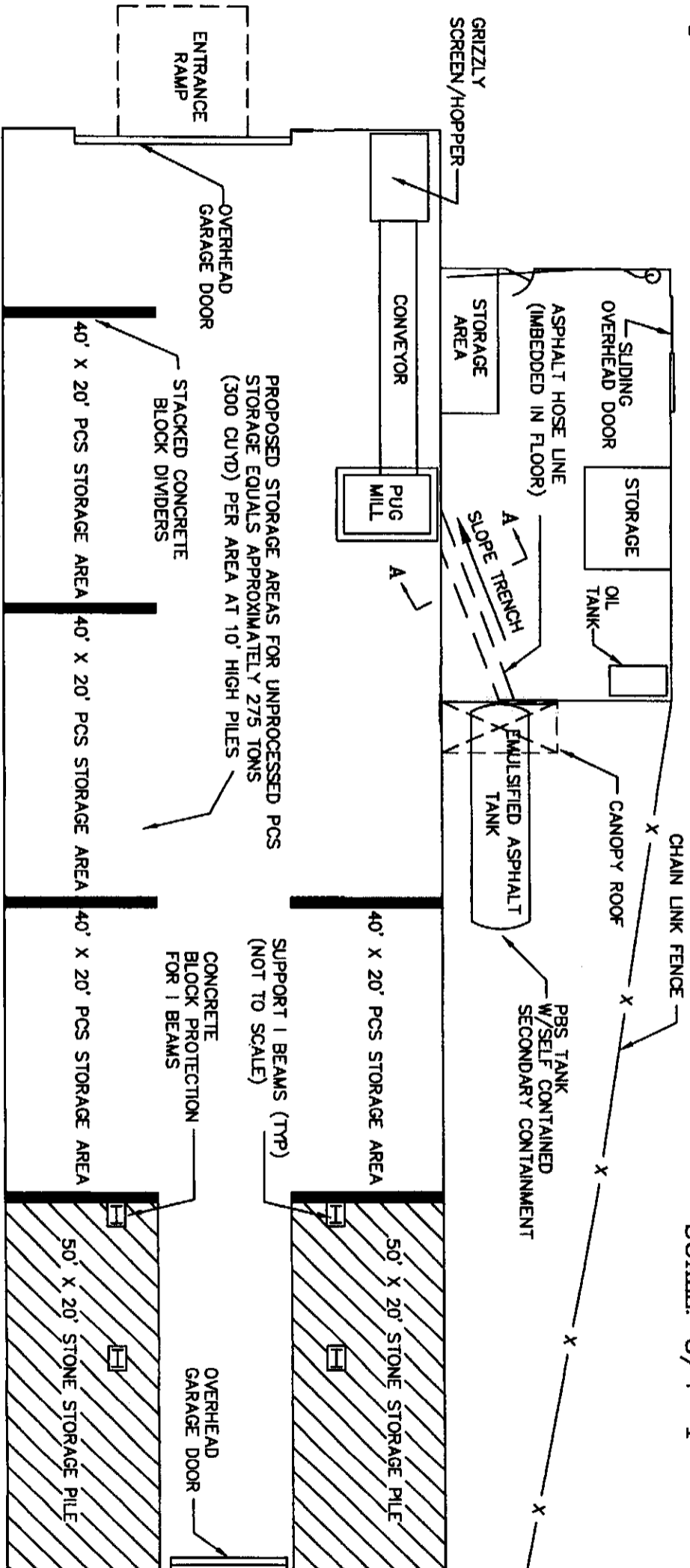


- NOTES:**
1. MINIMUM CONCRETE STRENGTH = 3000 PSI. THE CONCRETE SHOULD BE VIBRATED TO ELIMINATE AIR POCKETS.
  2. THE FINISHED LEVEL OF THE CONCRETE SURROUND MUST BE APPROX. 1/8" ABOVE THE TOP OF THE CHANNEL EDGE.



**SECTION A - A REMOVAL**  
SCALE: 3/4"=1'

**SECTION A - A PROPOSED**  
SCALE: 3/4"=1'



**COPY**

**RECEIVED**

MAY - 3 2010

**BUILDING A--PROCESSING**  
SCALE: 1"=20'



NO.	DATE	REVISIONS	DRN	APPR
1	9/19/06	STORAGE BMS	FRP	FRP
2	2/14/07	TRENCH DETAILS ADDED	FRP	FRP
3	02/05/08	DELETE CANOPY PAIL, ADD PBS TANK	FRP	FRP

PROJECT	
PROJ. NO.:	FRP
DESIGNED BY:	FRP
DRAWN BY:	RC/ARR
CHECKED BY:	
APPROVED BY:	
DATE:	

**RASCO MATERIALS, LLC.**  
**PROPOSED BUILDING PLAN**  
**PROCESSING BUILDING A**

N.Y.S.R.T. 22  
TOWN OF DOVER  
DUTCHESS COUNTY, NEW YORK

SPECTRA ENGINEERING, ARCHITECTURE  
AND SURVEYING P.C.

19 British American Boulevard  
Lafayette, NY 12110  
TEL (518) 782-0882 FAX (518) 782-0978

DATE: 10/09/05 SCALE: AS NOTED PROJ. NO. 05248 FIGURE 8A